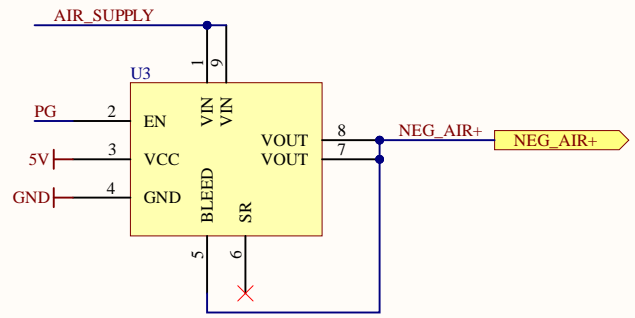
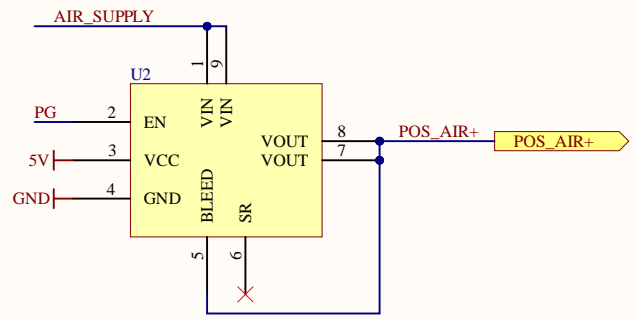
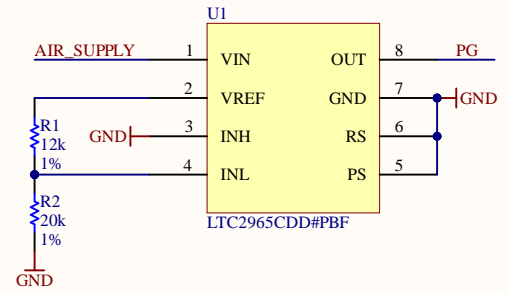


$P = 1/2 * C * (V_{start}^2 - V_{dropout}^2)$  so for power of 0.13A\*12V and capacitance 2000uF, time =  $1/2 * 0.002 * (V_{start}^2 - V_{dropout}^2) / 1.56 = 92$  ms



Title: **AIR\_Circuitry\_Test\_2.SchDoc**

Desc:

Size: Letter    Auth: Richard Prescott    Proj: AIR\_Circuitry\_Test\_2.PjPCad

Date: 10/9/2021    3:42:42 PM    Sheet 1 of 1

File: AIR\_Circuitry\_Test\_2.SchDoc

